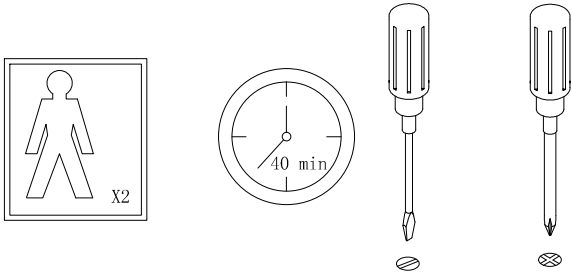
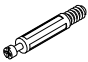






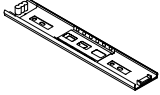

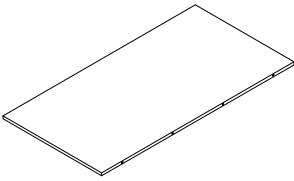
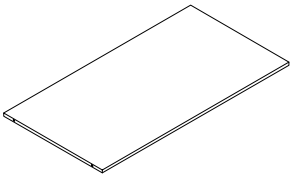
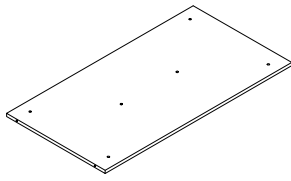
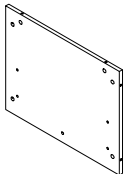
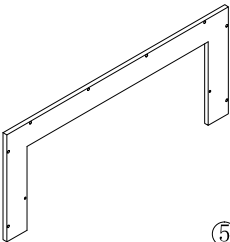
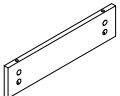
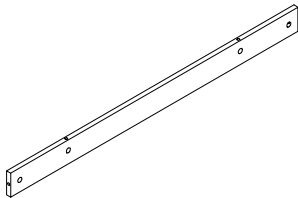
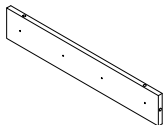
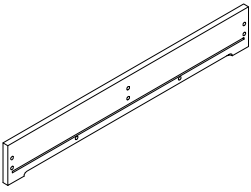
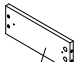
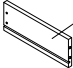
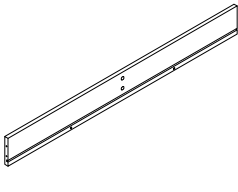
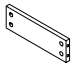
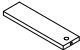
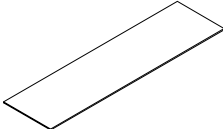
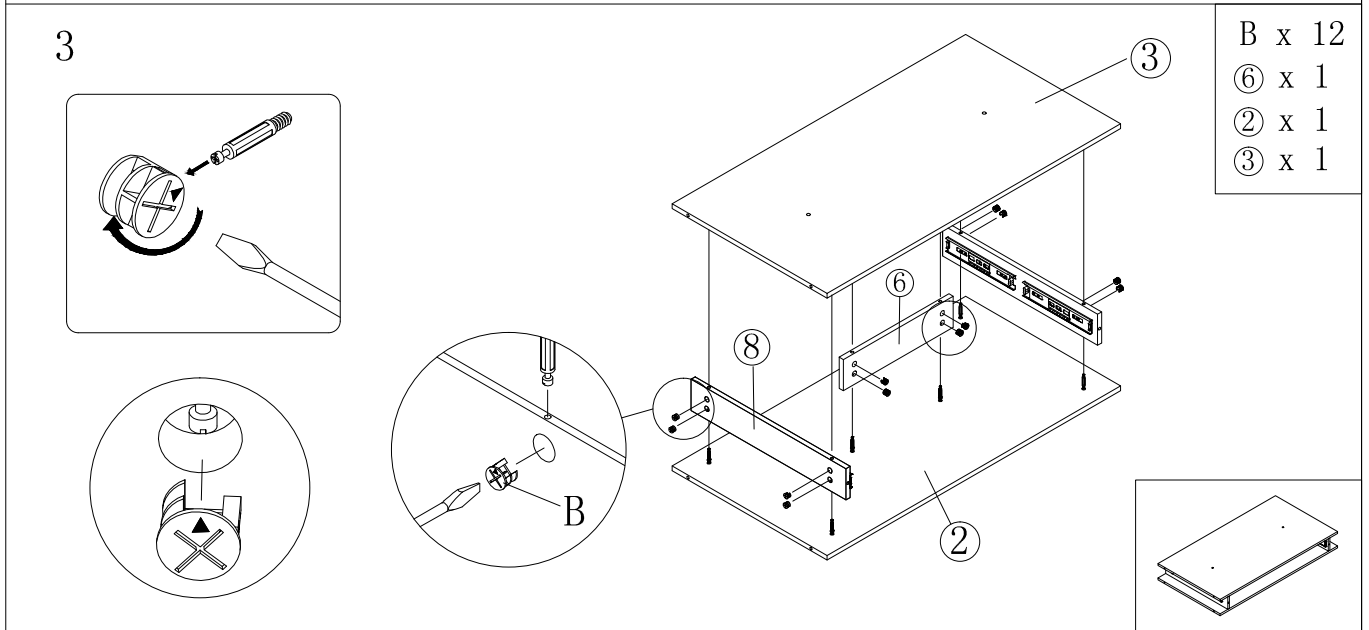
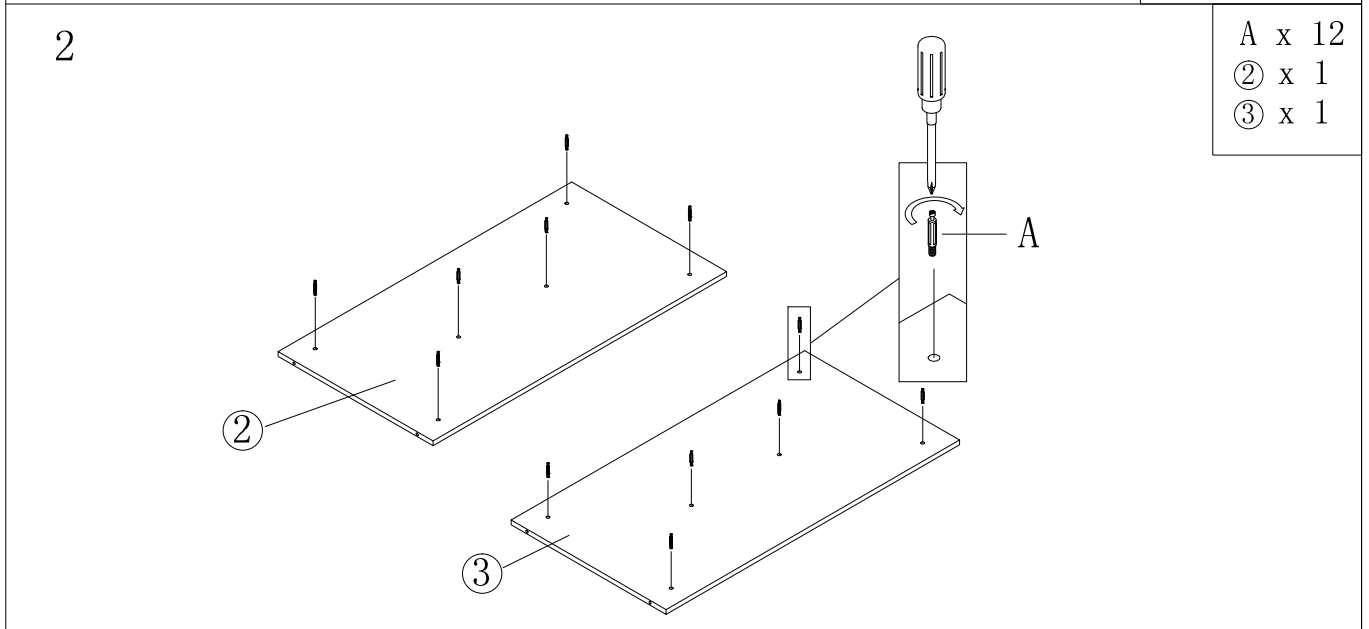
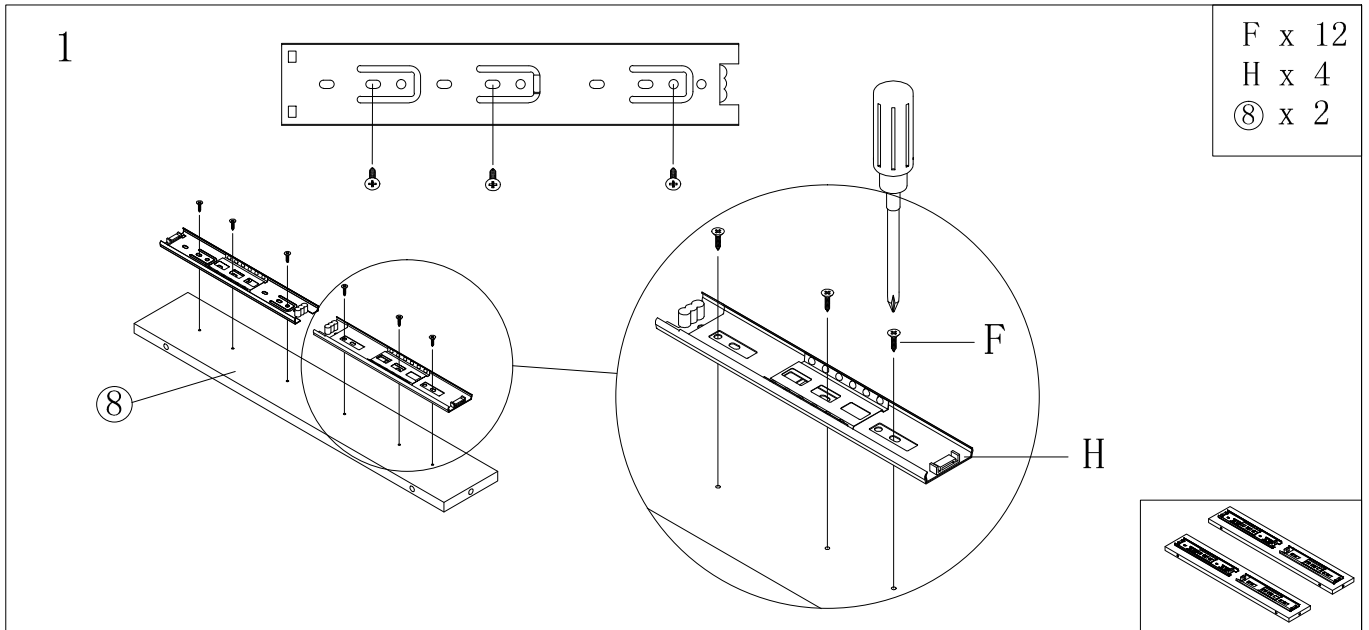
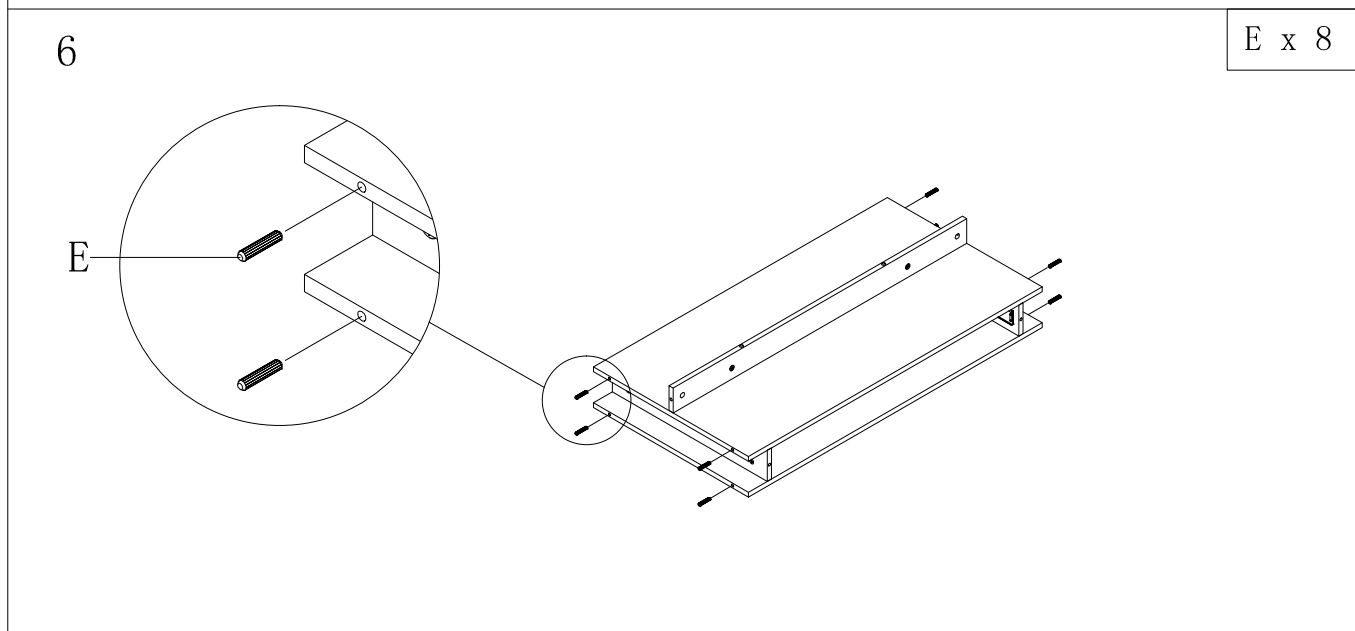
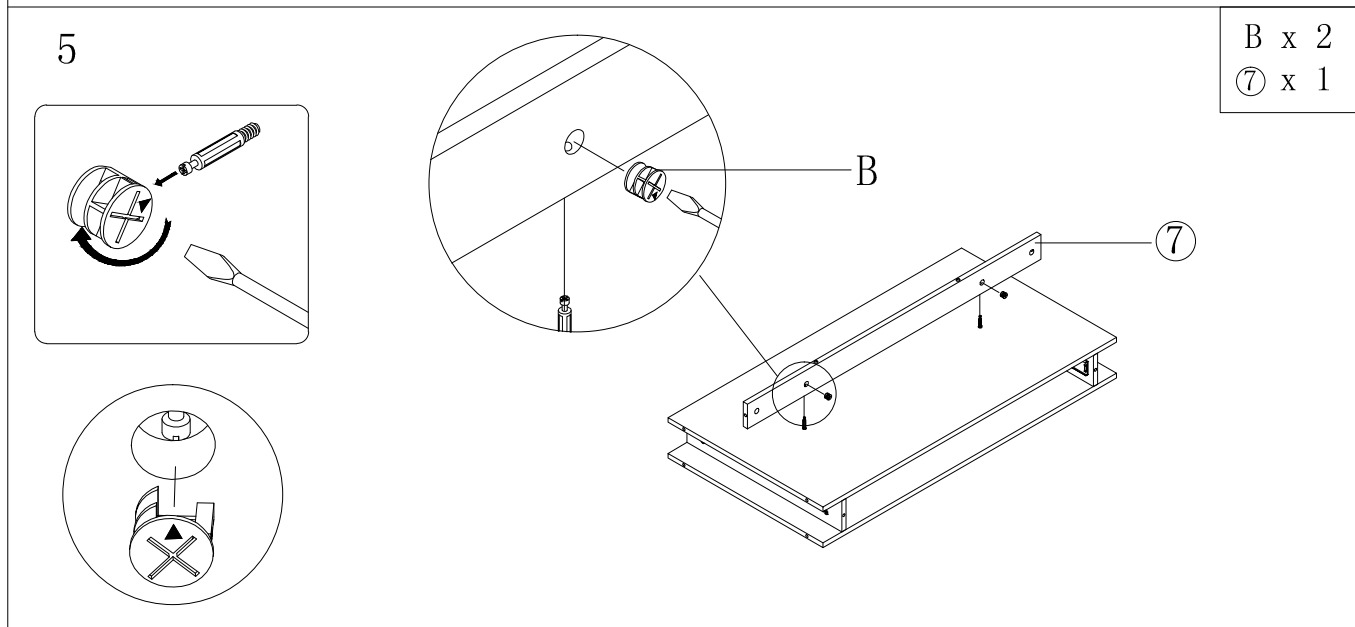
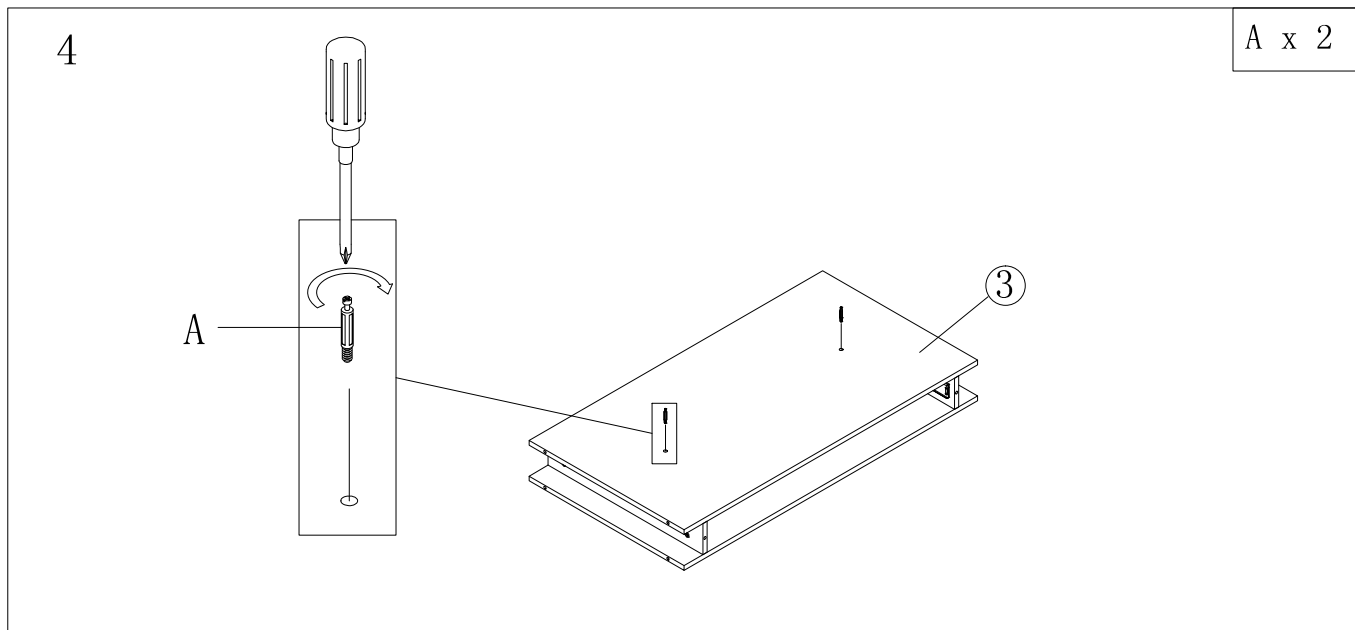
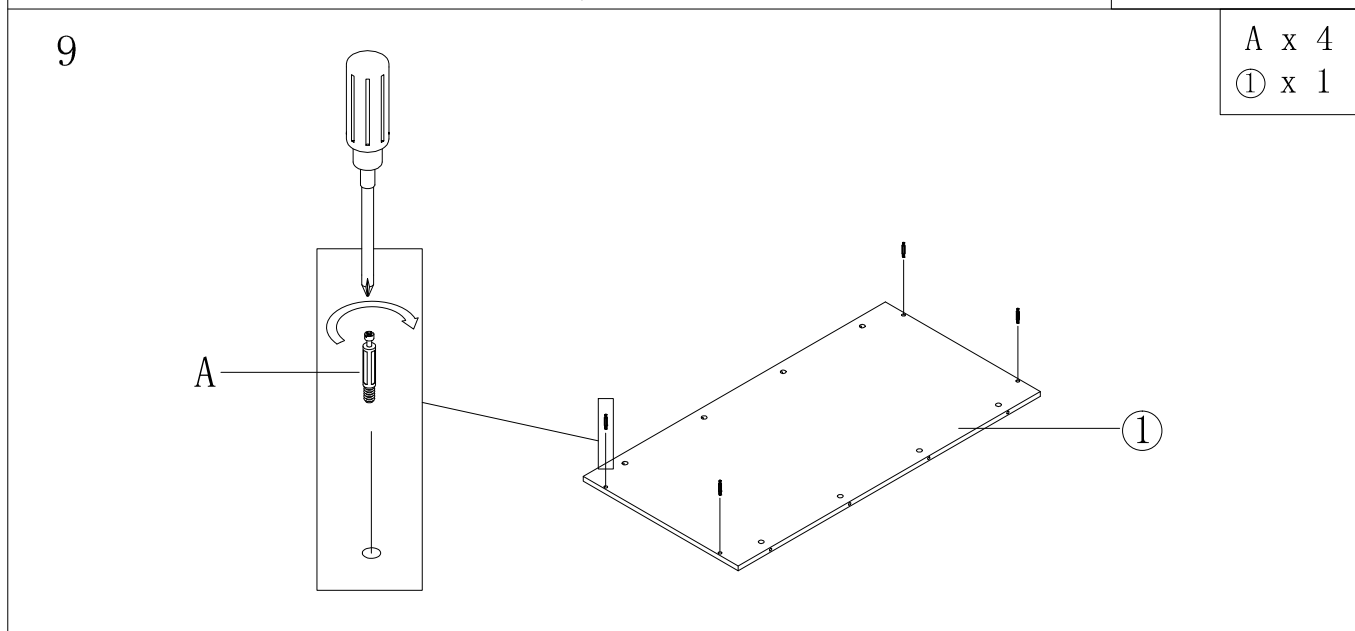
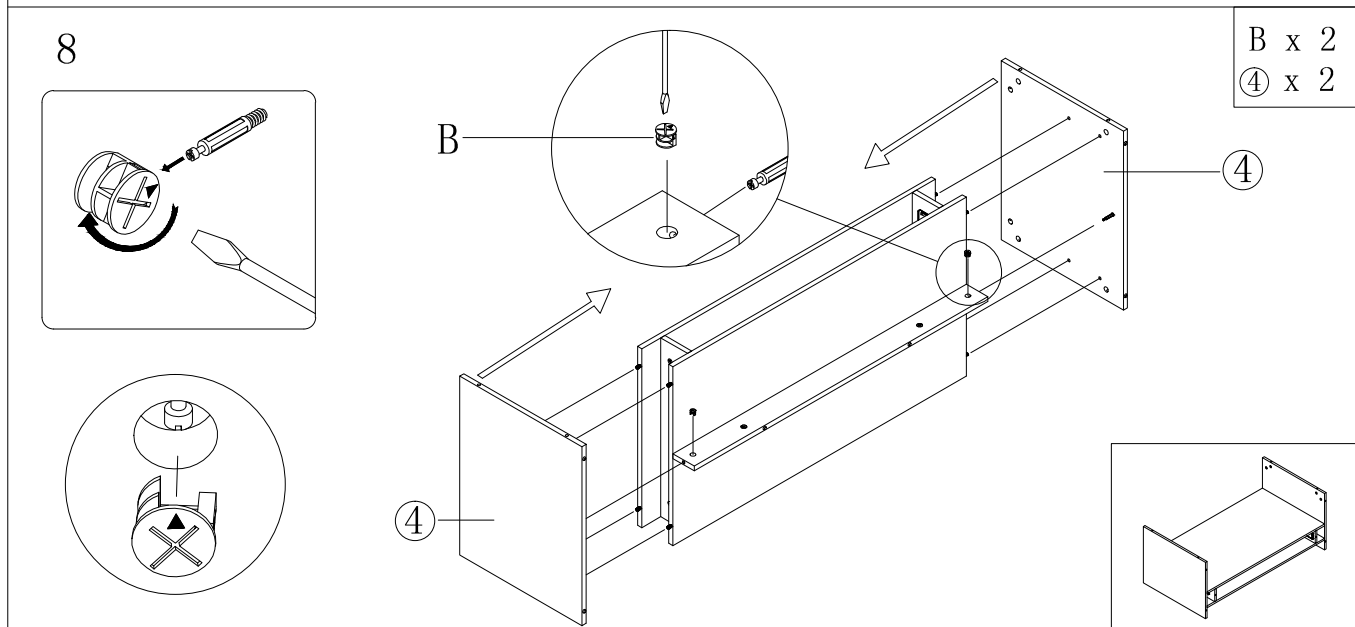
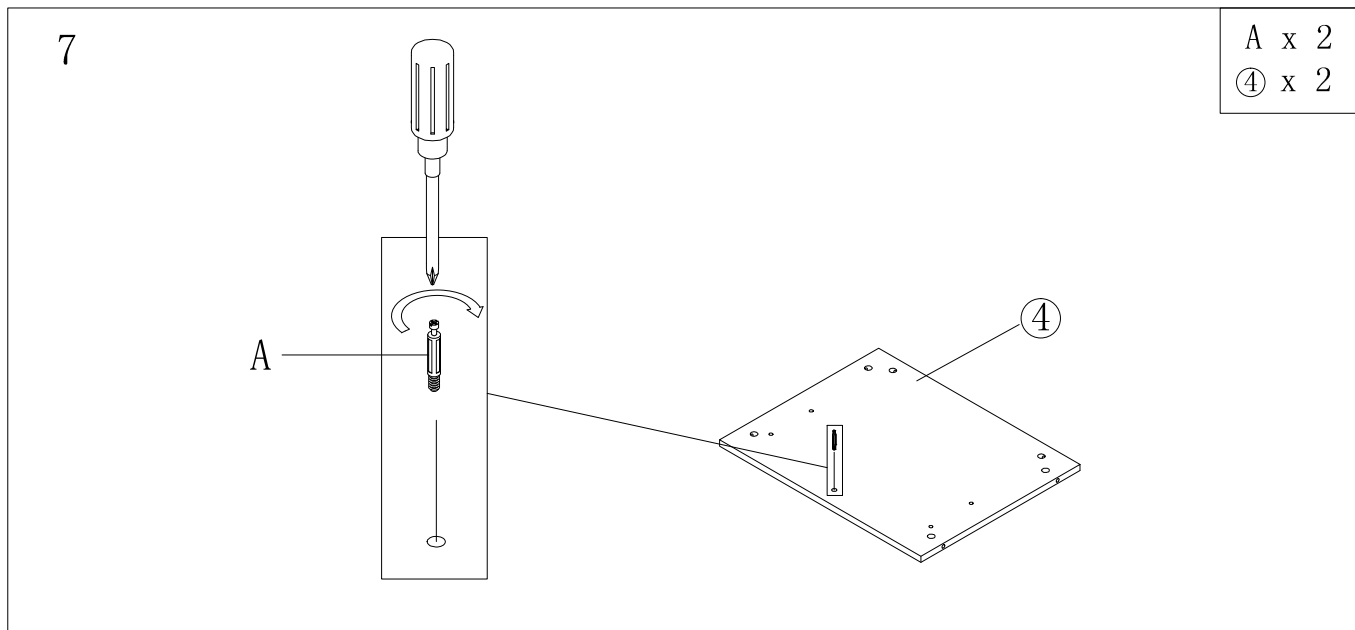
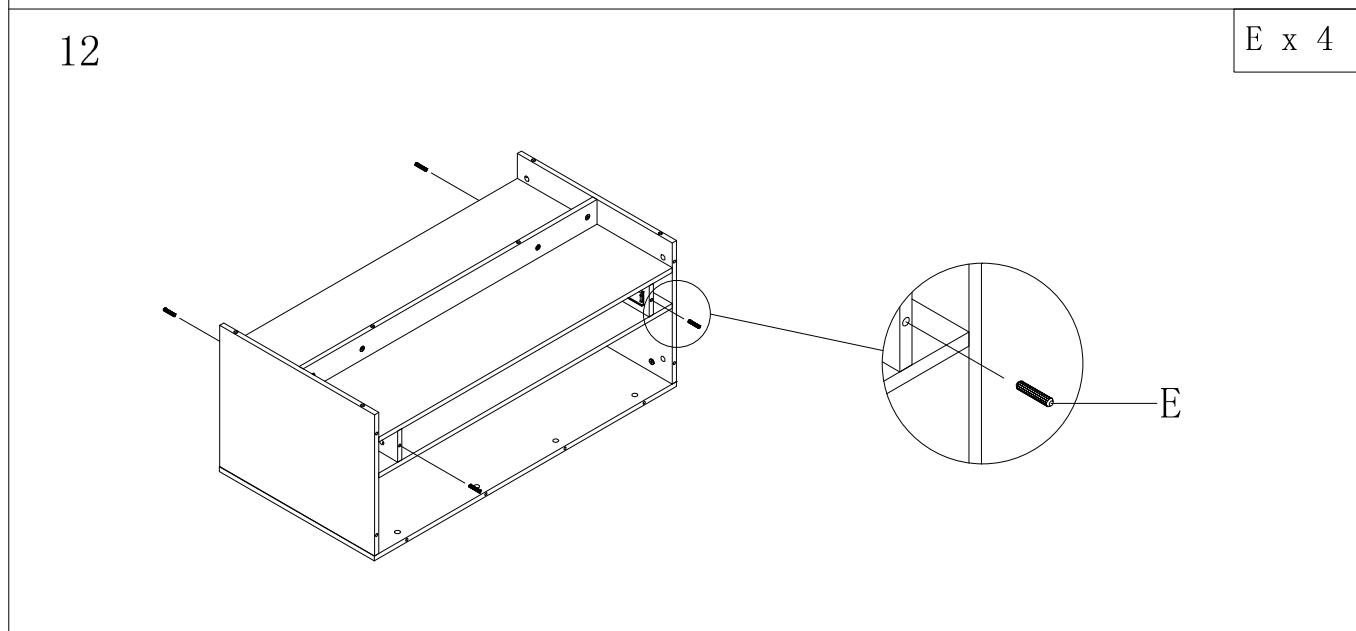
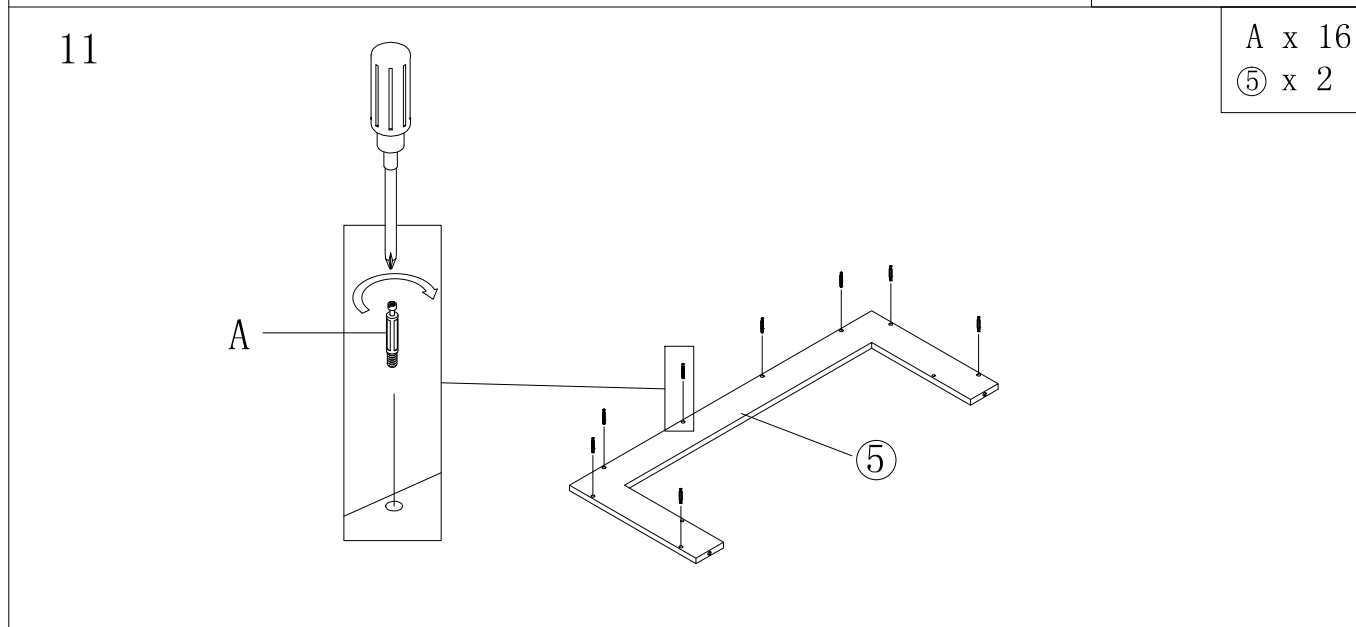
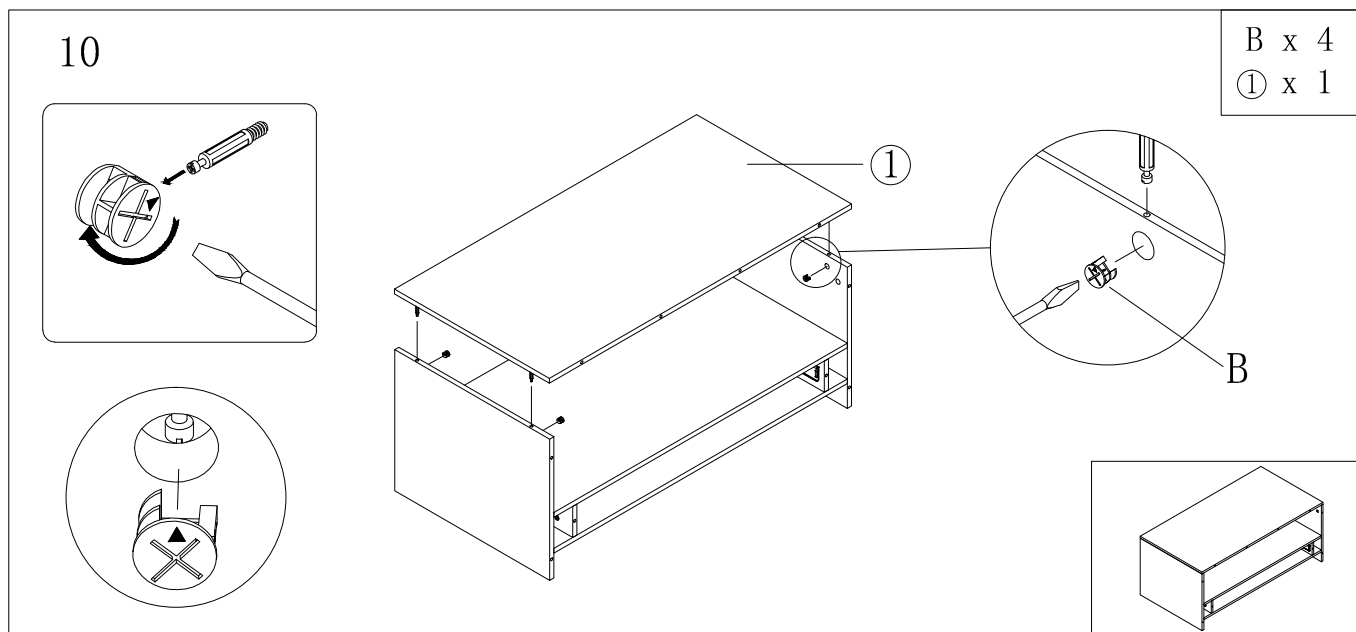
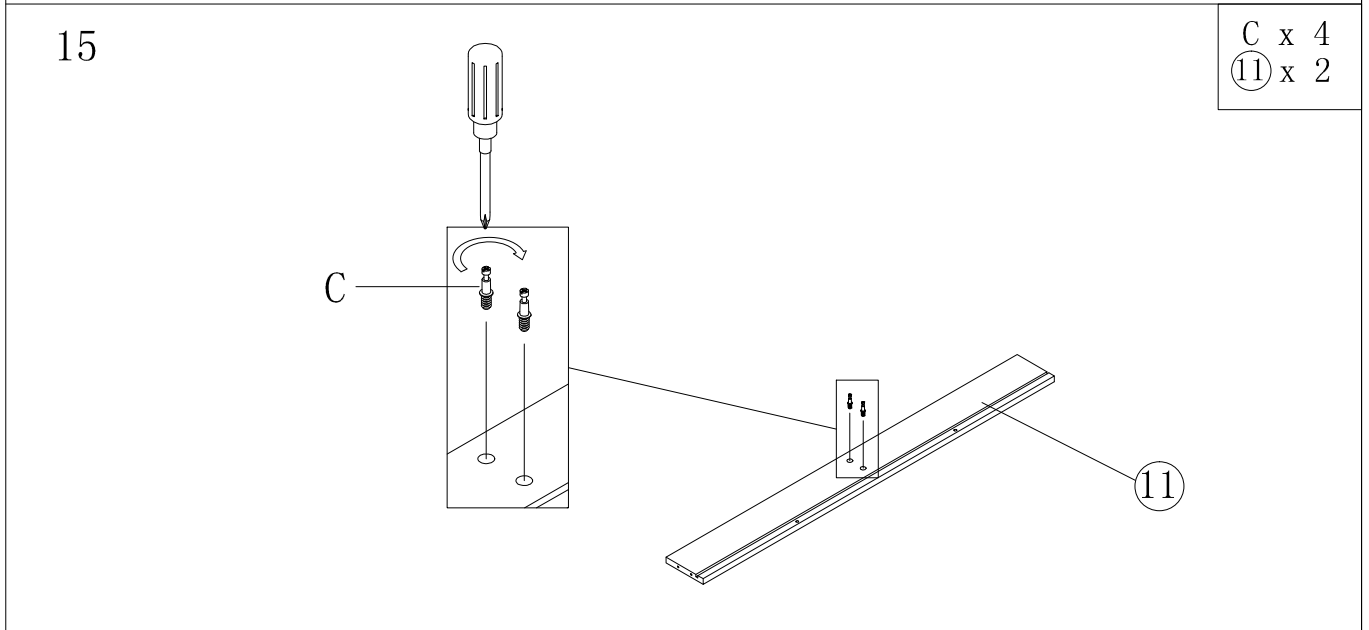
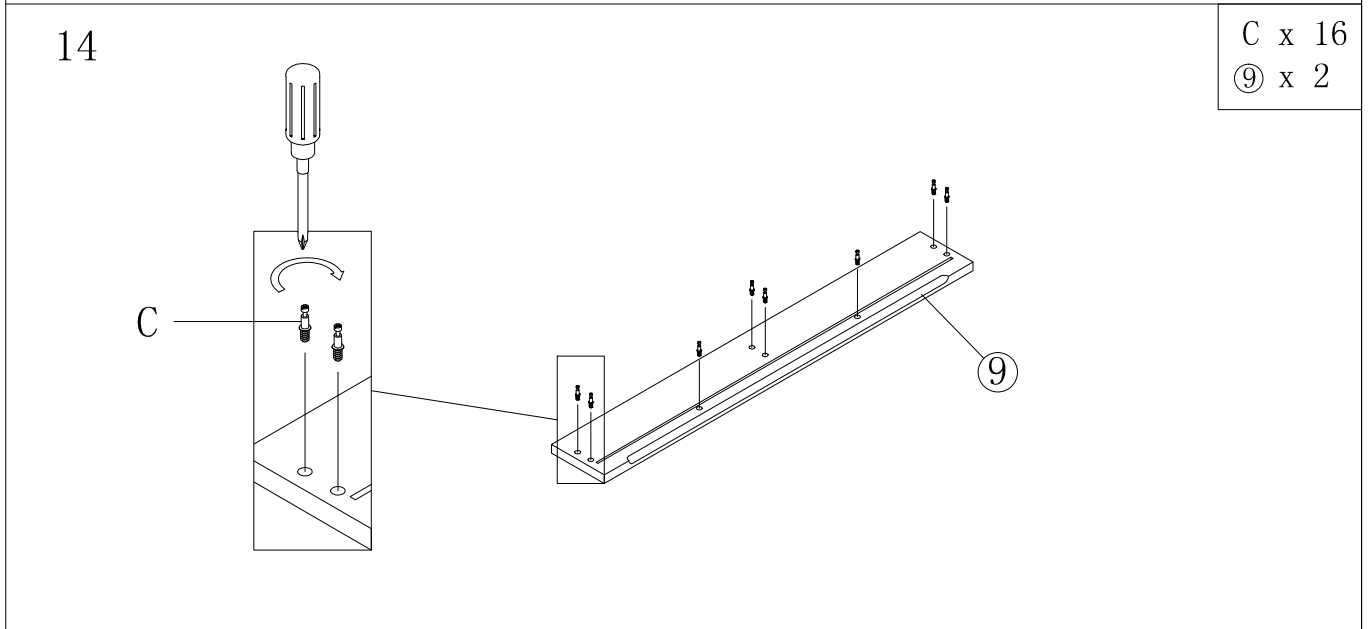
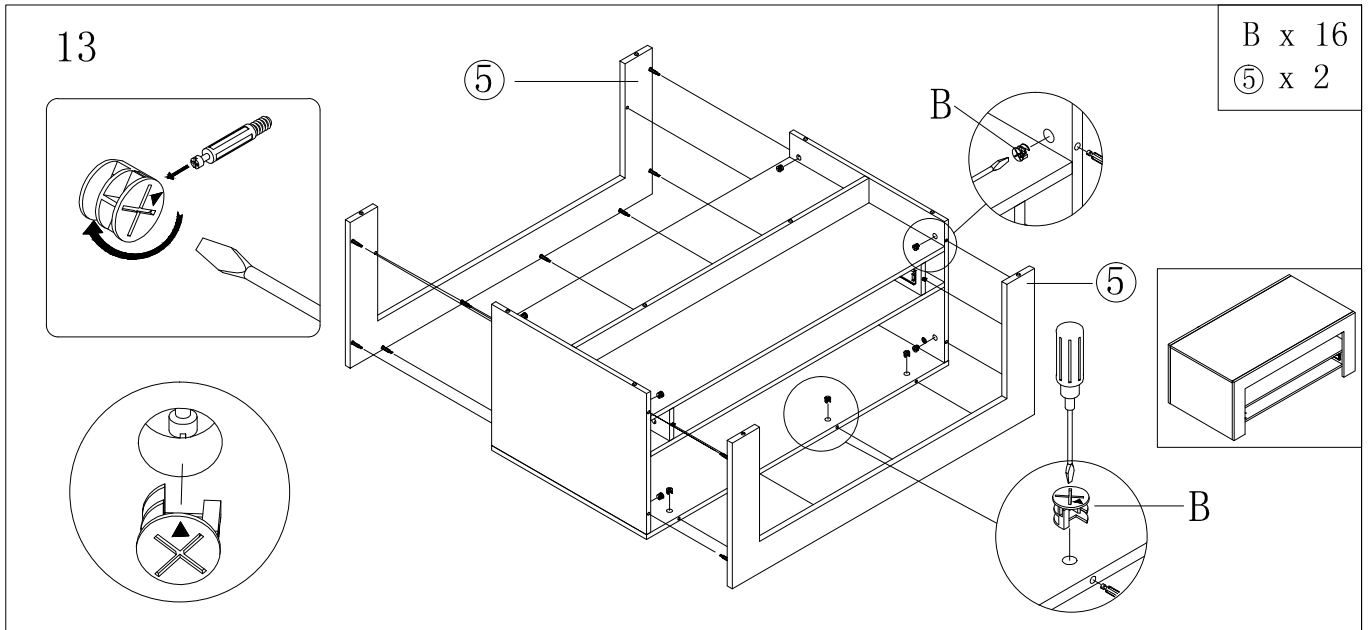
 <p>POMONA PCT-011</p>					
A	B	C	D	E	F
 x36	 Ø15 x36	 x20	 Ø12 x20	 M8*30 x12	 Ø3.5*12 x24
G	H	I			
 Ø3.5*35 x12	 x4	 x4			
 ① x1	 ② x1	 ③ x1	 ④ x2		
 ⑤ x2	 ⑥ x1	 ⑦ x1	 ⑧ x2		
 ⑨ x2	 ⑩-L	 ⑩-R	 ⑪ x2	 ⑫ x2	
 ⑬ x4	 ⑭ x2				

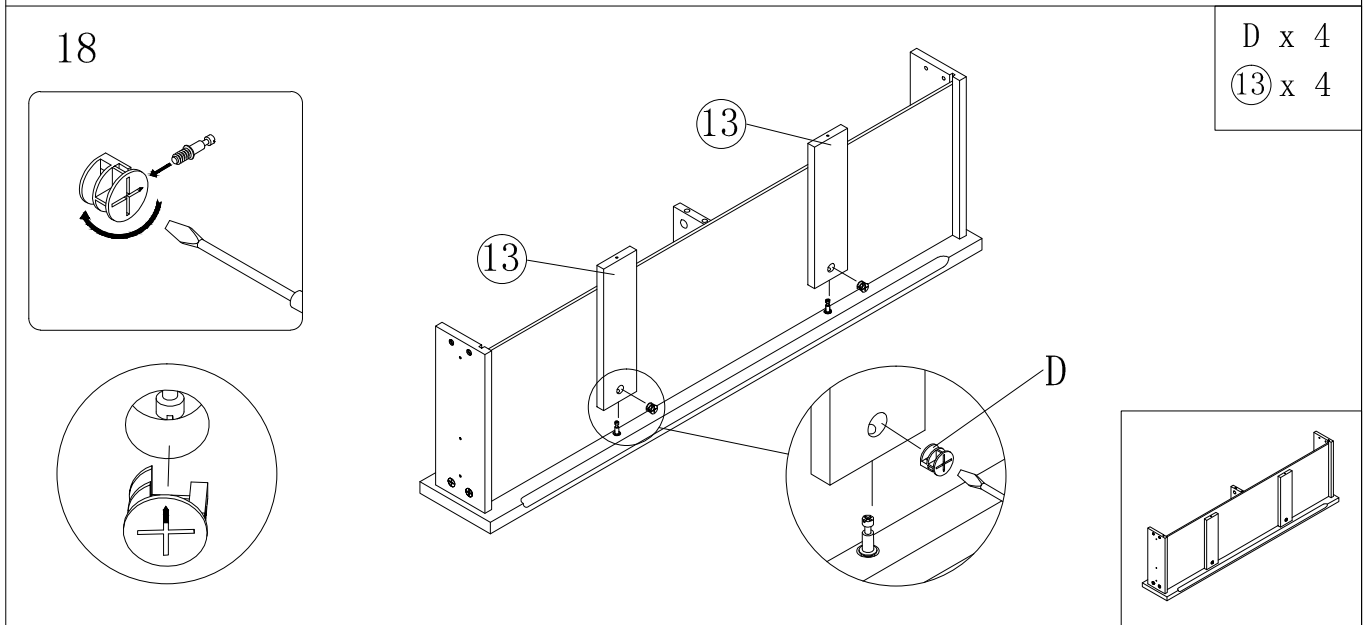
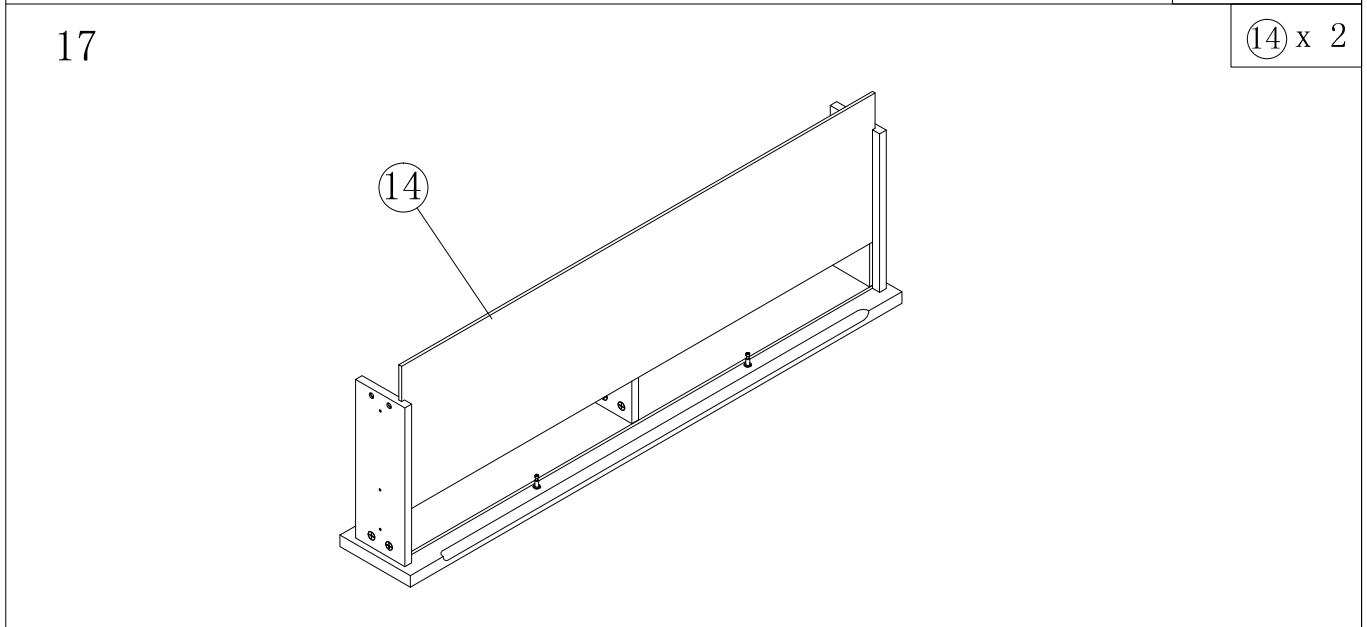
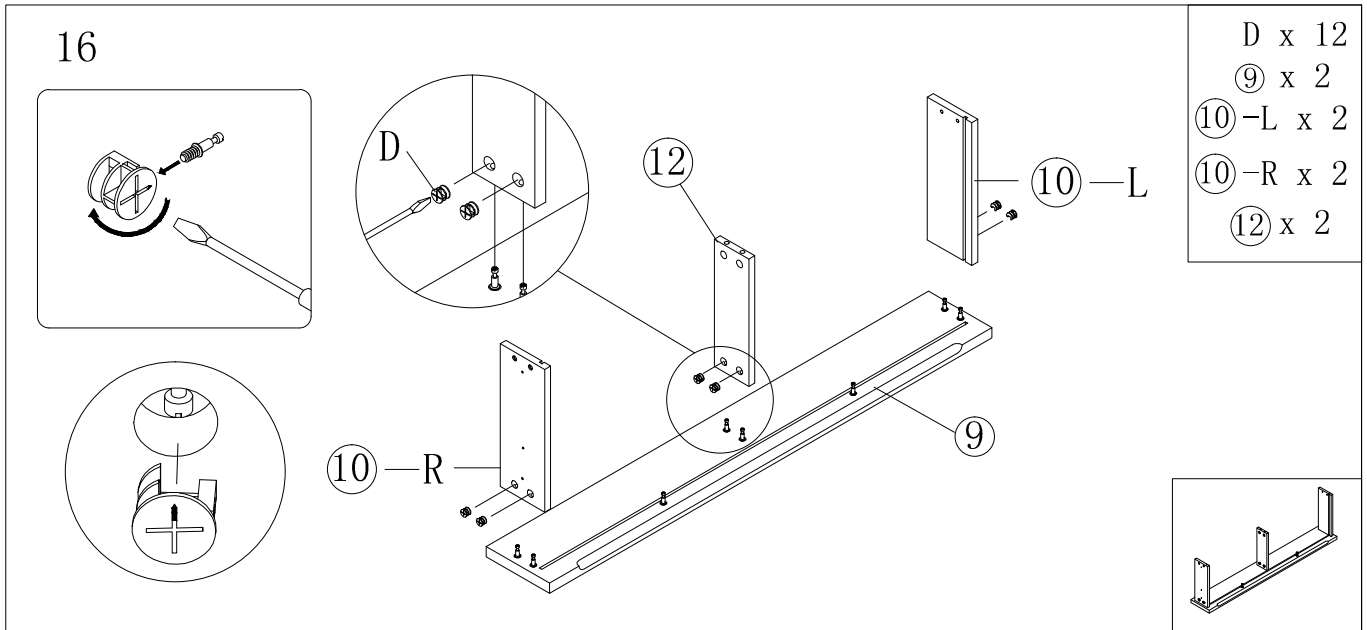


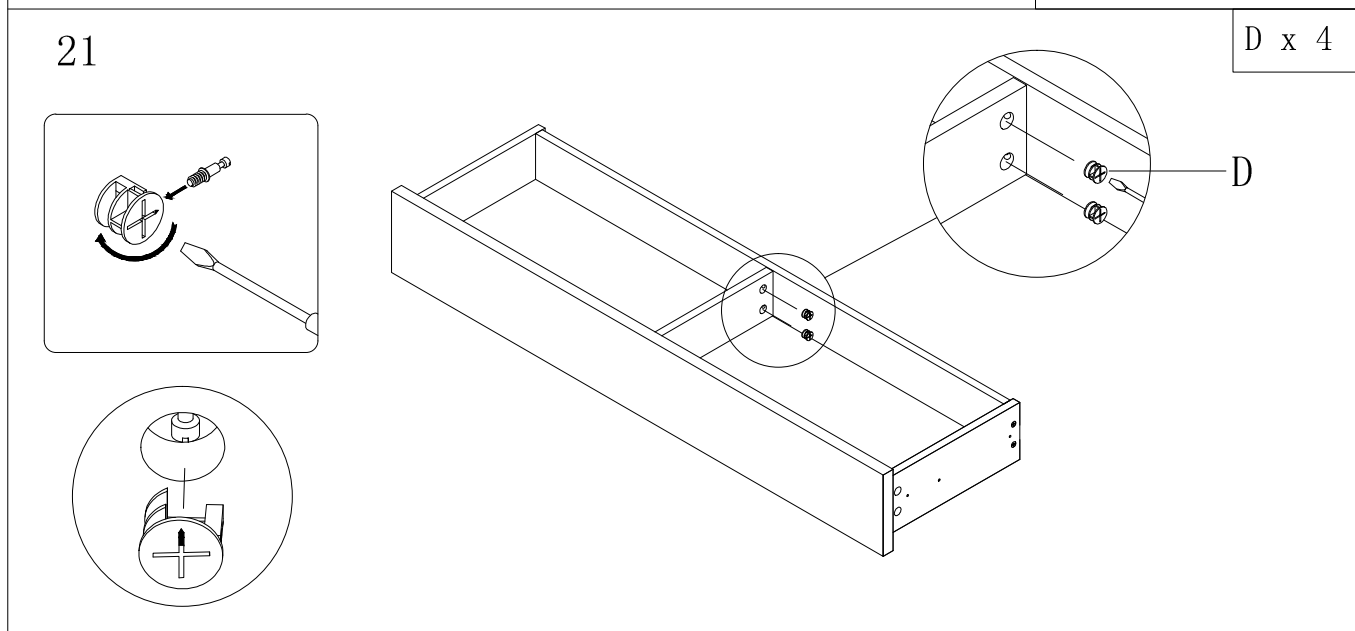
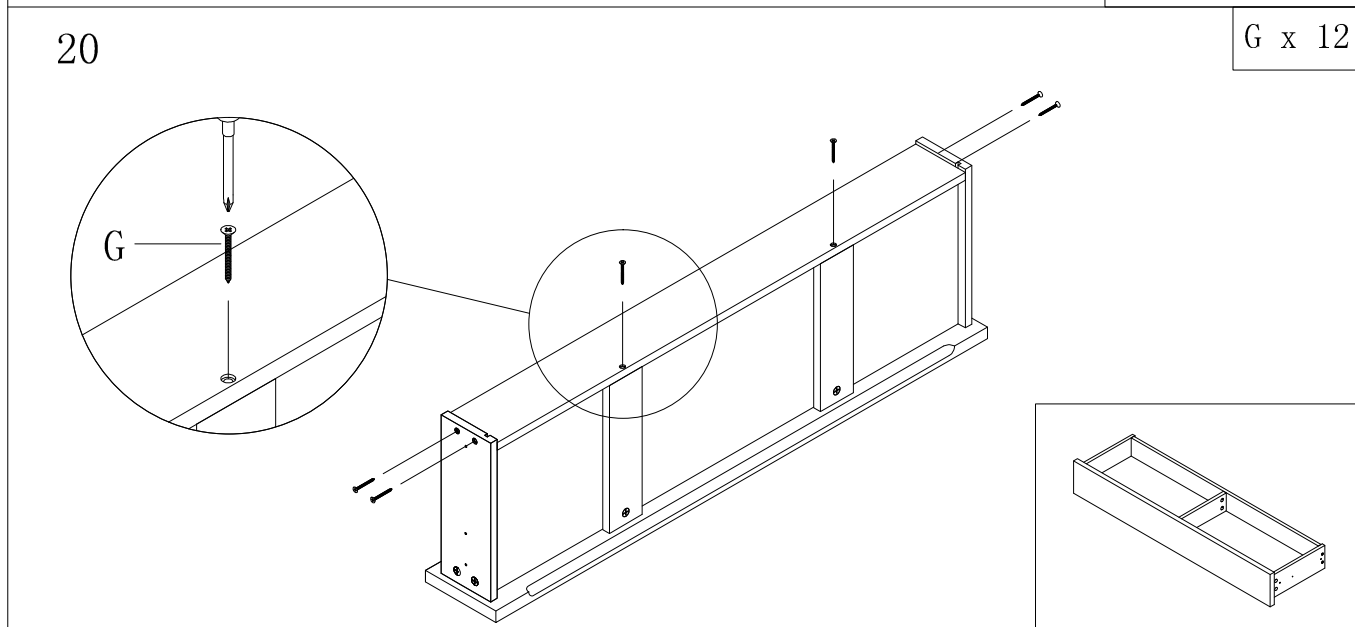
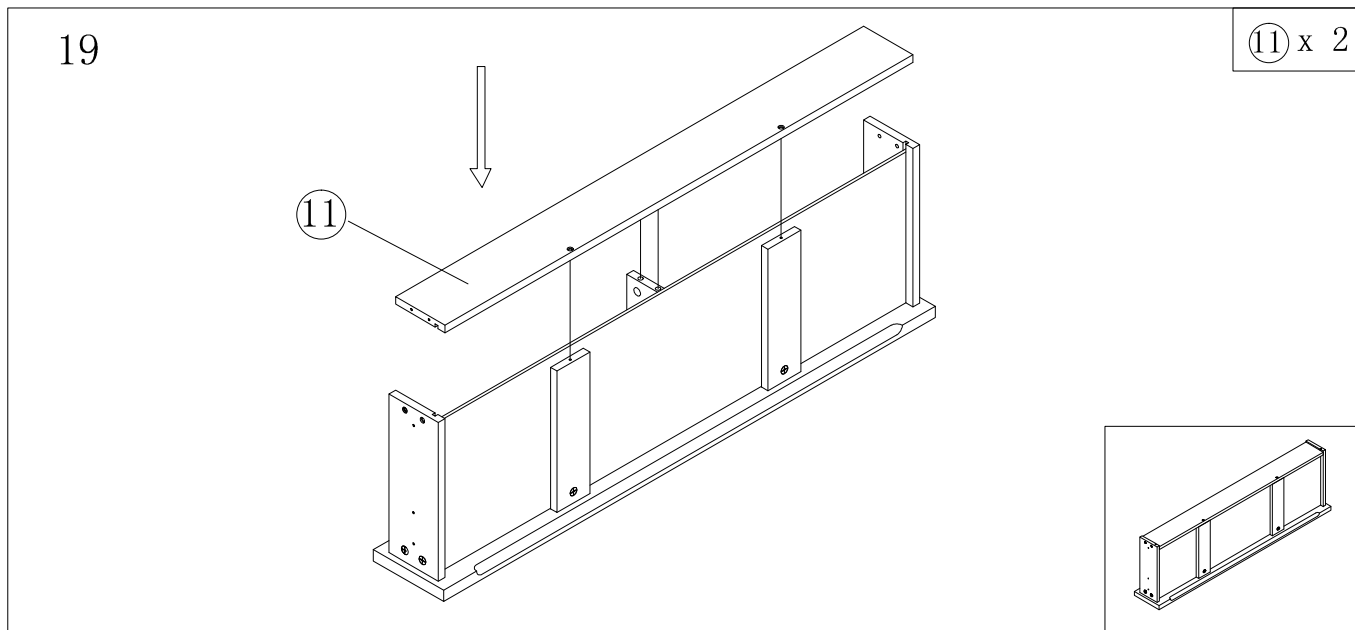






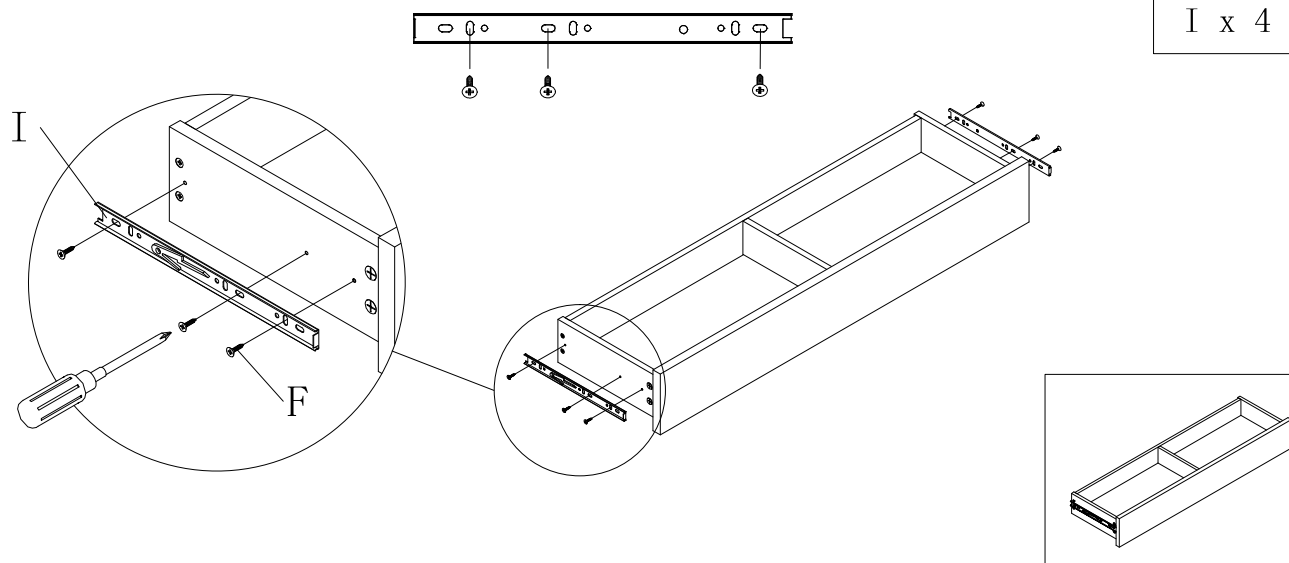




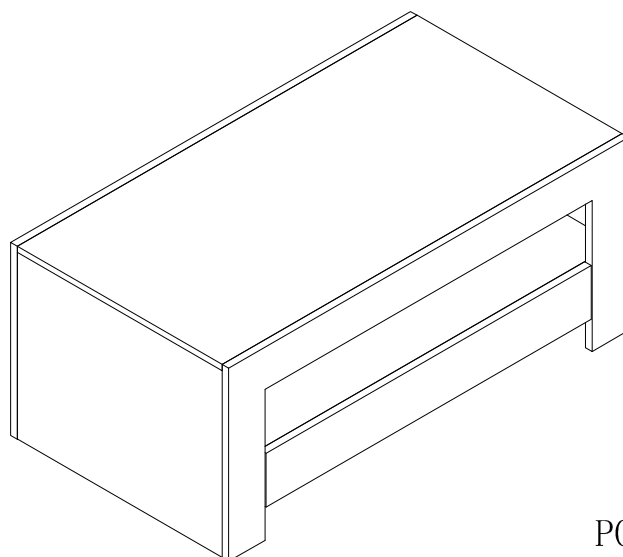
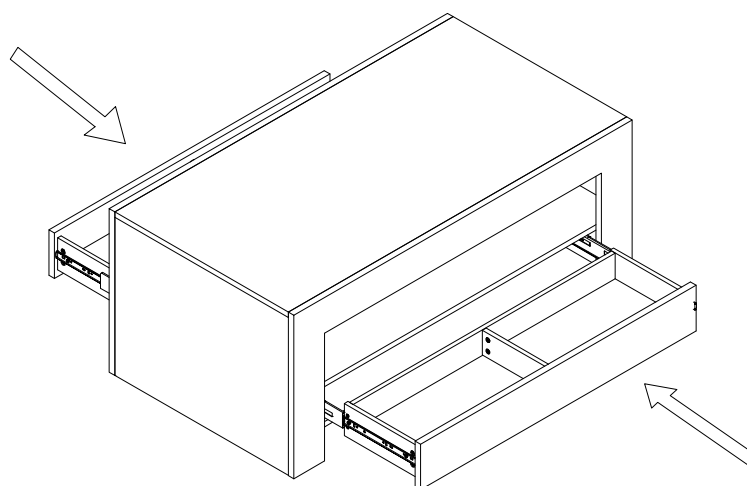


22

F x 12
I x 4



23



POMONA PCT-011